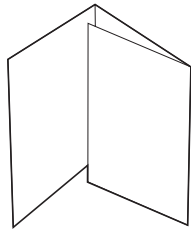


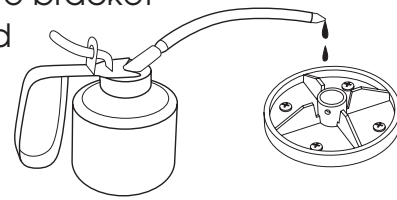
Installation Checklist

Please Read These Important Standards and Tips Before Installation!

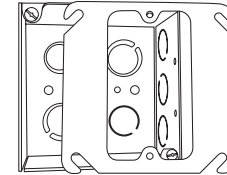
1. Read the instruction manual thoroughly.



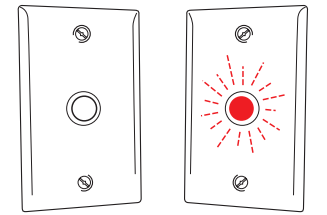
2. Apply oil to bracket cover and bracket threads.



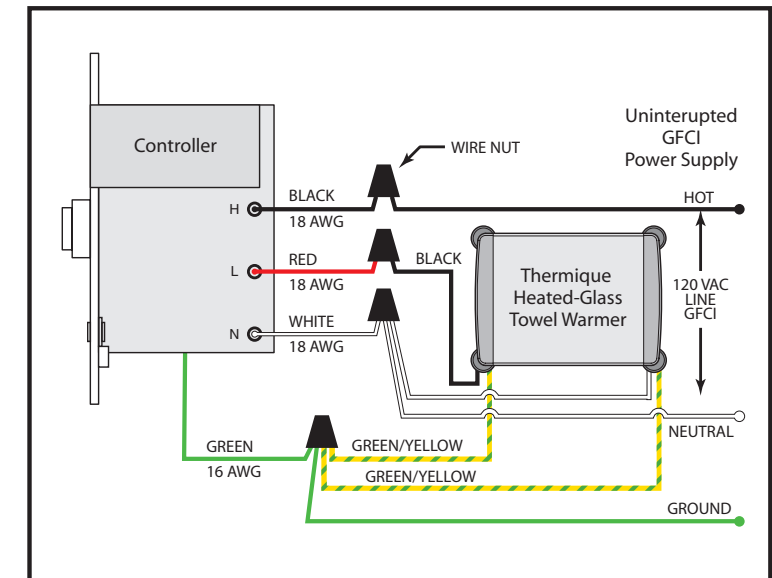
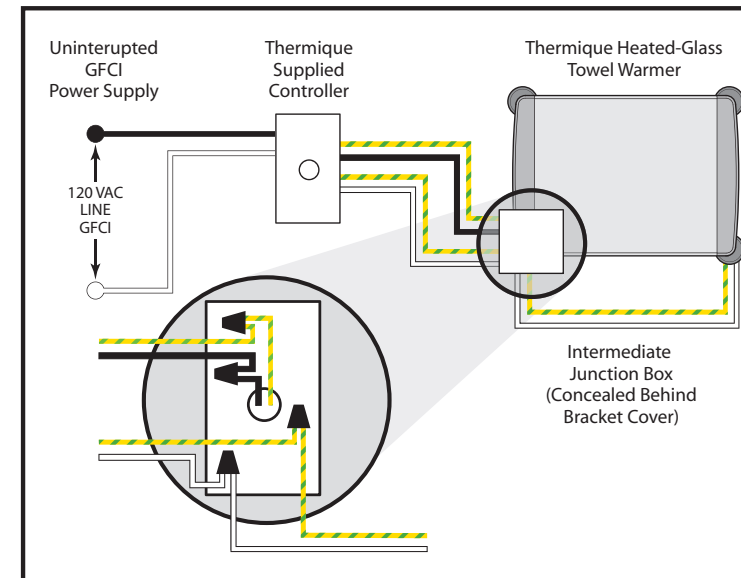
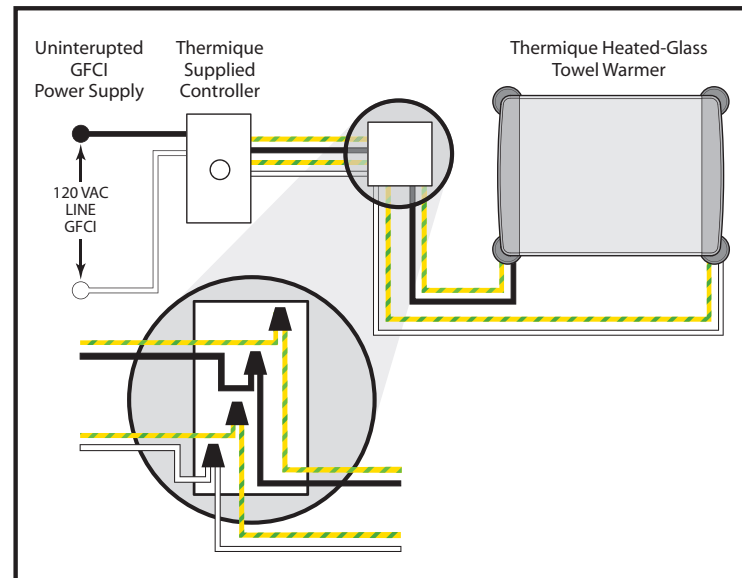
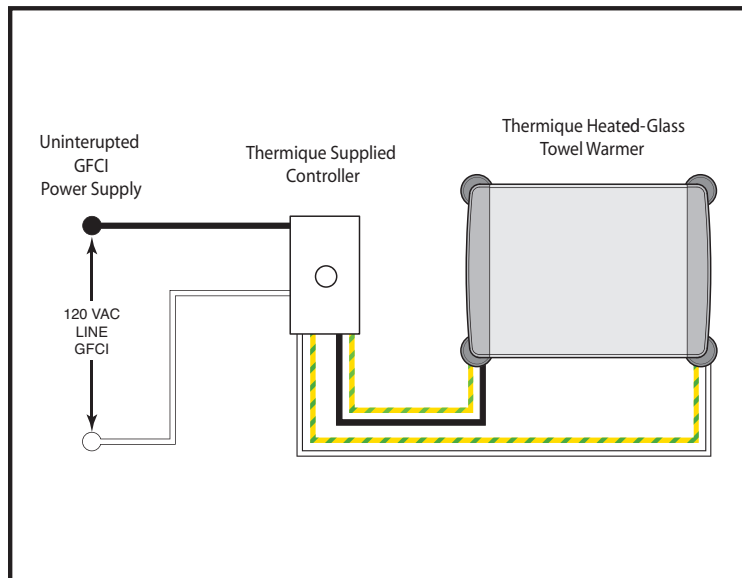
3. Use double-gang box with single-gang mud ring.



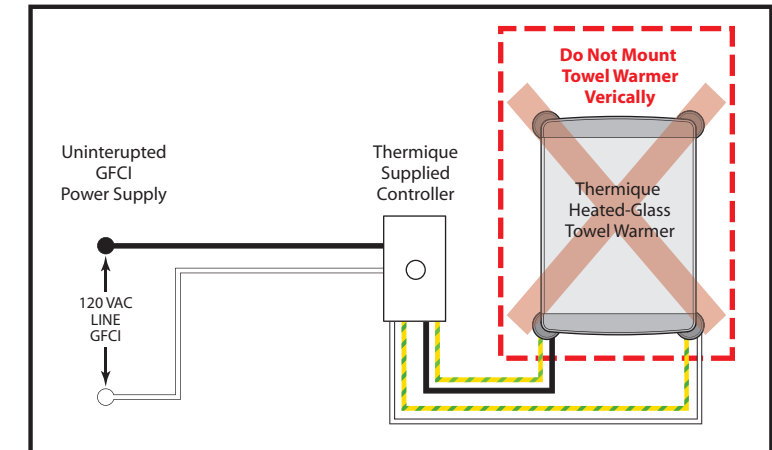
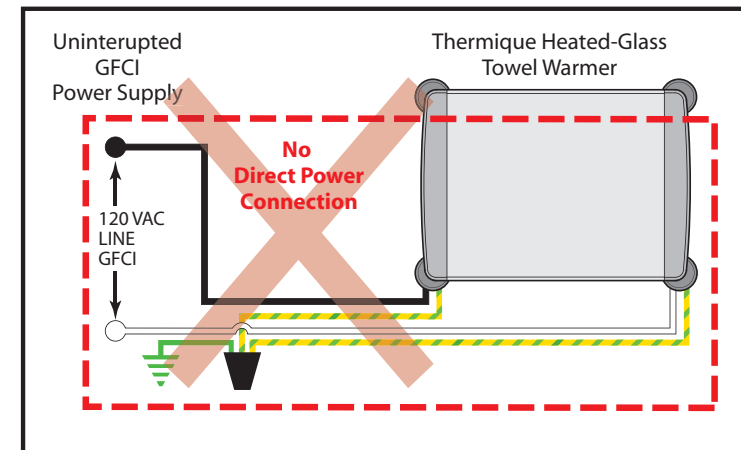
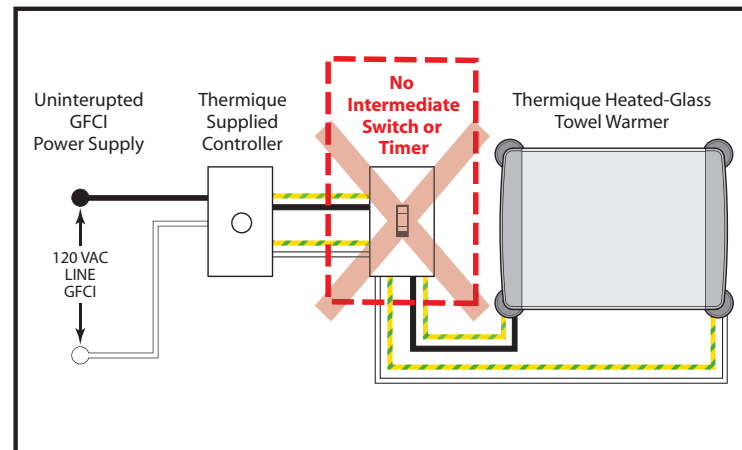
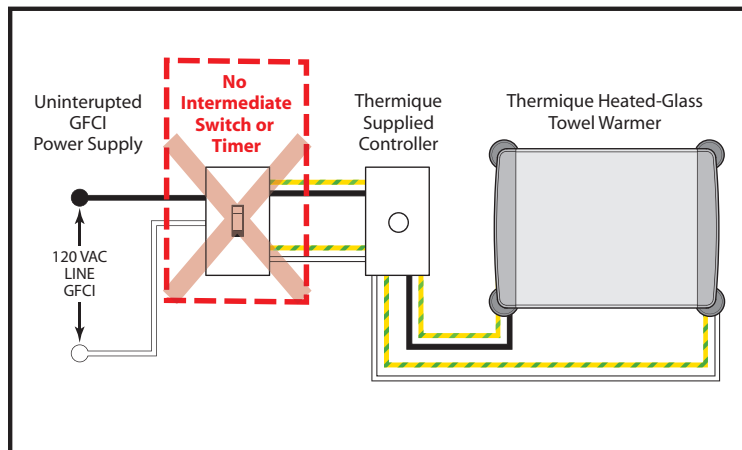
4. If light is blinking on supplied controller, disconnect power and call for service.



APPROVED Installation Configurations



UNAPPROVED Installation Configurations



Thermique Technologies, LLC
2857 S. Halsted Street
Chicago, IL 60608

thermique™
T O W E L W A R M E R

Phone: (866)-469-0426
Fax: (312) 674-8434
www.thermiquetechnologies.com

DISCLAIMER: This label is not a substitute for completely reading the Owner's Manual Instructions & Installation Procedures. The Owner's Manual should be read entirely before beginning installation. The diagrams (above) are to be used as an additional visual reference for approved and unapproved methods of installing a Thermique towel warmer. Failure to completely read the Owner's Manual can result in an unsuccessful installation, the product not working properly, and may damage the product. If you have any questions regarding your specific installation please contact customer service at 866-469-0426 or visit our website at www.thermiquetech.com.